



# TRULUCK'S

OCEAN'S FINEST SEAFOOD & CRAB

## Chicago

Thank you for choosing Truluck's to host your next special event. For private business dinners, lunches, family gatherings, receptions, rehearsal dinners, cocktail parties and more, our experienced staff and warm Southern hospitality will ensure that your event will be a lasting memory. We are committed to unparalleled culinary excellence, amazing wine, and impeccable service – all dedicated to exceeding the expectations of your friends, family and associates.

Since 1992, we've been all about fresh seafood, Prime steaks cooked to perfection, succulent crab from around the globe, and an award-winning wine list – all served by our attentive staff. But enough about us. Your special occasion is all about you.

I look forward to helping you plan a menu customized just for your group, and I will take care of each detail – from audio/visual equipment, to floral arrangements, and more – that will make your event unforgettable.

— At your service,

*Cassandra Mazur*

Special Events Coordinator



**OPTION 1 \$105 per guest**

**OPTION 2 \$88 per guest**

**APPETIZERS**

CHILLED SHELLFISH PLATTER  
oyster\*, shrimp, fresh crab claw and crab cocktail  
PRIME MEATBALL

**SOUP OR SALAD**

LOBSTER BISQUE or CAESAR SALAD\*

**DINNER ENTRÉES**

PRIME NEW YORK STRIP\*  
16 oz. thick, prime center cut with parmesan mashed potatoes

BONE-IN FILET\*  
14 oz. center cut of beef tenderloin on the bone with parmesan mashed potatoes

**STEAK TOPPING ADDITIONS** BILLED ON CONSUMPTION  
BORDELAISE TOPPING red wine, bone marrow, braised mushrooms \$9  
CHEF'S TOPPING crab and shrimp with béarnaise \$11  
OSCAR TOPPING crab, asparagus, béarnaise \$11

ALASKAN KING CRAB  
1 lb. sweet Alaskan king crab with lemon-garlic butter and parmesan mashed potatoes

SWEET AND SPICY WILD STRIPED BASS  
broiled wild striped bass topped with crab, avocado and heirloom tomatoes dressed with Thai chili and served with rice pilaf

*All entrées are accompanied by family style seasonal vegetables*

**DESSERTS**

FAMILY STYLE VARIETY PLATTERS  
carrot cake, chocolate malt cake, Key lime pie garnished with seasonal berries and fresh whipped cream

**APPETIZERS**

SHRIMP COCKTAIL  
PRIME MEATBALL  
JUMBO LUMP CRAB CAKE  
TOMATO & OLIVE BRUSCHETTA

**SOUP OR SALAD**

LOBSTER BISQUE or SONOMA GREENS SALAD

**DINNER ENTRÉES**

OSCAR FILET\*  
7 oz. filet topped with crab, asparagus, and béarnaise with parmesan mashed potatoes

MISO-GLAZED SEABASS  
oven roasted with chilled cucumber slaw and crab fried rice

STUFFED LOBSTER TAIL  
lobster tail topped with a jumbo lump blue crab and lemon-garlic butter and served with parmesan mashed potatoes

AMISH NATURAL CHICKEN  
served with herbed pan gravy and parmesan mashed potatoes

*All entrées are accompanied by family style seasonal vegetables*

**DESSERTS**

FAMILY STYLE VARIETY PLATTERS  
carrot cake, chocolate malt cake, Key lime pie garnished with seasonal berries and fresh whipped cream



DELIGHT YOUR GUESTS WITH A TAKE HOME GIFT BOX OF CAKE TRUFFLES. JUST \$3.50 EACH.



**ENTRÉE ADDITIONS**

1/2 LB. ALASKAN KING CRAB \$30  
LOBSTER TAIL \$28 (whole tail)  
3 MEDIUM FRESH CRAB CLAWS \$22.5

**FAMILY STYLE SIDE ADDITIONS**

CRAB MAC-N-CHEESE \$5 per guest  
CRAB FRIED RICE \$5 per guest  
CREAMED SPINACH \$3.5 per guest  
GARLIC SAUTÉED SPINACH \$4 per guest  
STEAK MUSHROOMS \$3 per guest

**VEGETARIAN ENTRÉE ADDITIONS (CHOOSE ONE)**

MISO-GLAZED TOFU  
sweet and sour cucumber slaw and vegetable fried rice  
LINGUINI PRIMAVERA  
with mushrooms, spinach, asparagus, cherry tomatoes and pecorino cheese sautéed in white wine and lemon  
BEET TARTARE TOWER  
pickled beets, avocado, seaweed salad, forbidden rice, dynamite sauce and honey wasabi aioli  
HEARTS OF PALM VEGETARIAN "CRABCAKES"  
Two 5 oz. hearts of palm, pickles, house made tartar sauce, oyster crackers and pecorino

**TRULUCK'S CHOCOLATE BAG**

Four walls of Belgian chocolate stuffed with almond flavored pound cake, fresh berries, whipped cream, chocolate, and candied spiced pecans  
- Substitute individual chocolate bags in lieu of dessert platters for \$4 per guest  
- Add individual chocolate bags to share family style with included dessert platters \$8 each

It's our pleasure to tailor a menu to your specific requests. Truluck's purchases fresh seafood daily. All seafood selections are subject to availability. Package price includes fresh bread iced tea & coffee service. Prices are per guest and do not include 11.75% sales tax and 20% gratuity.  
\*Consumer Advisory: Consuming raw foods or undercooked meat, poultry, seafood, shellfish and eggs may increase your risk of foodborne illness.

**OPTION 3 \$75 per guest**

**APPETIZERS**

SHRIMP COCKTAIL  
BEEF CROSTINI\*  
TOMATO & OLIVE BRUSCHETTA

**APPETIZER ADDITIONS**

JUMBO LUMP CRAB CAKE \$9 per guest  
FRESH CRAB CLAW Medium \$7.5 each Large \$13 each  
PRIME MEATBALL \$3 each

**SOUP OR SALAD**

LOBSTER BISQUE or SONOMA GREENS SALAD

**DINNER ENTRÉES**

CHEF'S FILET\*  
7 oz. filet of all natural beef topped with sautéed shrimp,  
crab meat and béarnaise sauce with parmesan mashed potatoes  
BLACKENED REDFISH PONTCHARTRAIN  
crawfish tails, shrimp, crab and Creole sauce with rice pilaf  
SALMON BÉARNAISE  
topped with shrimp, crab meat and rich béarnaise with parmesan mashed potatoes  
AMISH NATURAL CHICKEN  
served with herbed pan gravy and parmesan mashed potatoes  
*All entrées are accompanied by family style seasonal vegetables*

**DESSERTS**

FAMILY STYLE VARIETY PLATTERS  
carrot cake, chocolate malt cake, key lime pie  
garnished with seasonal berries and fresh whipped cream



DELIGHT YOUR GUESTS WITH A TAKE HOME GIFT BOX OF CAKE TRUFFLES. JUST \$3.50 EACH.



**ENTRÉE ADDITIONS**

1/2 LB. ALASKAN KING CRAB \$30  
LOBSTER TAIL \$28 (whole tail)  
3 MEDIUM FRESH CRAB CLAWS \$22.5

**FAMILY STYLE SIDE ADDITIONS**

CRAB MAC-N-CHEESE \$5 per guest  
CRAB FRIED RICE \$5 per guest  
CREAMED SPINACH \$3.5 per guest  
GARLIC SAUTÉED SPINACH \$4 per guest  
STEAK MUSHROOMS \$3 per guest

**VEGETARIAN ENTRÉE ADDITIONS (CHOOSE ONE)**

MISO-GLAZED TOFU  
sweet and sour cucumber slaw and vegetable fried rice  
LINGUINI PRIMAVERA  
with mushrooms, spinach, asparagus, cherry tomatoes and pecorino cheese  
sautéed in white wine and lemon  
BEET TARTARE TOWER  
pickled beets, avocado, seaweed salad, forbidden rice, dynamite sauce and honey  
wasabi aioli  
HEARTS OF PALM VEGETARIAN "CRABCAKES"  
Two 5 oz. hearts of palm, pickles, house made tartar sauce, oyster crackers and  
pecorino

**TRULUCK'S CHOCOLATE BAG**

Four walls of Belgian chocolate stuffed with almond flavored pound cake, fresh berries, whipped cream, chocolate, and candied spiced pecans  
- Substitute individual chocolate bags in lieu of dessert platters for \$4 per guest  
- Add individual chocolate bags to share family style with included dessert platters \$8 each

It's our pleasure to tailor a menu to your specific requests. Truluck's purchases fresh seafood daily. All seafood selections are subject to availability.  
Package price includes fresh bread iced tea & coffee service. Prices are per guest and do not include 11.75% sales tax and 20% gratuity.  
\*Consumer Advisory: Consuming raw foods or undercooked meat, poultry, seafood, shellfish and eggs may increase your risk of foodborne illness.



**SURF-N-TURF OPTION \$120 per guest**

**APPETIZERS**

JUMBO LUMP CRAB CAKE

CHILLED SHELLFISH PLATTER

A feast for the eyes, as well as the palate: A bounty of oyster\*, shrimp, fresh crab claw and crab cocktail, served atop crushed ice.

**SOUP OR SALAD**

LOBSTER BISQUE or CAESAR SALAD\*

**DINNER ENTRÉE**

SURF-N-TURF\*

7 oz. center-cut filet of all natural beef with a choice of a cold water lobster tail or ½ lb. of Alaskan king crab. Served with parmesan mashed potatoes and asparagus

**DESSERTS**

FAMILY STYLE VARIETY PLATTERS

carrot cake, chocolate malt cake, Key lime pie garnished with seasonal berries and fresh whipped cream on platters to share



DELIGHT YOUR GUESTS WITH A TAKE HOME GIFT BOX OF CAKE TRUFFLES. JUST \$3.50 EACH.



**FAMILY STYLE SIDE ADDITIONS**

CRAB MAC-N-CHEESE \$5 per guest    CRAB FRIED RICE \$5 per guest    CREAMED SPINACH \$3.5 per guest

GARLIC SAUTEED SPINACH \$4 per guest    STEAK MUSHROOMS \$3 per guest

**TRULUCK'S CHOCOLATE BAG**

Four walls of Belgian chocolate stuffed with almond flavored pound cake, fresh berries, whipped cream, chocolate, and candied spiced pecans

- Substitute individual chocolate bags in lieu of dessert platters for \$4 per guest

- Add individual chocolate bags to share family style with included dessert platters \$8 each

It's our pleasure to tailor a menu to your specific requests. Truluck's purchases fresh seafood daily. All seafood selections are subject to availability.

Package price includes fresh bread iced tea & coffee service. Prices are per guest and do not include 11.75% sales tax and 20% gratuity.

\*Consumer Advisory: Consuming raw foods or undercooked meat, poultry, seafood, shellfish and eggs may increase your risk of foodborne illness.

## APPETIZER OFFERINGS

Appetizers are served on family style platters at the table or buffet style.

### SEAFOOD

SHRIMP COCKTAIL with atomic cocktail sauce \$4 each

CHILLED SHELLFISH PLATTER oyster, shrimp, fresh crab claw and crab cocktail \$18 per guest

HOT & CRUNCHY SHRIMP with mango chili sauce \$3 each

ESCARGOT with herbed butter, garlic and lemon in a phyllo cup \$5.25 per guest

FEATURED OYSTER\* on the half shell with mignonette, cocktail sauce and atomic horseradish \$3.25 each

OYSTERS AND PEARLS\* featured oysters topped with caviar and crème fraîche \$8 each

OYSTERS ROCKEFELLER\* creamed spinach, herbs, Pernod \$3.5 each

SALT & PEPPER CALAMARI tossed with stir-fry vegetables and served with spicy mustard sauce and a sweet Vietnamese chili sauce \$4.5 per guest

TUNA TARTARE\* marinated tuna, white soy sauce, sesame seeds, honey wasabi aioli in a phyllo cup with tobiko \$3.5 each

BLOODY MARY OYSTER SHOOTER \$5.5 each

LOBSTER BISQUE SHOOTER \$3 each

PETROSSIAN CAVIAR with sesame crisps, grated egg, red onion and crème fraîche Serves 4 Domestic \$70

LOBSTER COCKTAIL \$15 each (half tail)

### STEAK

CARVED BEEF TENDERLOIN herbed beef tenderloin sliced and served with warm rolls, with spicy mustard sauce and horseradish cream sauce. For groups of 30 or more. Chef attended station \$30 per guest

SEARED BEEF CROSTINI\* tenderloin of beef seared rare and topped with herbed mushroom salad and horseradish goat cheese \$3.25 each

PRIME MEATBALL 3 oz. prime chuck, brisket and short rib with house made steak sauce \$3 each

### CRAB

CHILLED CRAB COCKTAIL (2 oz.) blue crab cocktail served with deviled cocktail sauce and spicy mustard \$8 per guest

½ lb. ALASKAN KING CRAB \$30 each

JUMBO LUMP CRAB CAKE (2.5 oz.) with dilled tartar sauce \$9 each

FRESH CRAB CLAWS \$7.5 per medium claw or \$90 per dozen, \$13 per large claw or \$156 per dozen

### VEGETABLES

TOMATO & OLIVE BRUSCHETTA with basil, honey vinaigrette and goat cheese \$2.25 each

VEGETABLE PLATTER a combination of raw, roasted and marinated vegetables and house made sauces \$4.5 per guest (72 hours notice needed)

HEARTS OF PALM VEGETARIAN "CRAB CAKE" 2.5 oz. hearts of palm, pickles, house made tartar sauce, oyster crackers and pecorino \$3 each

PICKLED BEET TARTARE pickled beets, avocado, seaweed salad, forbidden rice, dynamite sauce and honey wasabi aioli in a phyllo cup \$2.5 each

### DESSERTS

CARROT CAKE CUPCAKES (48 hours notice needed) \$4 each

CHOCOLATE MALT CUPCAKES (48 hours notice needed) \$4 each

VARIETY PLATTERS carrot cake, chocolate malt cake, Key lime pie garnished with seasonal berries and fresh whipped cream \$5 per guest

TRULUCK'S INDIVIDUAL CHOCOLATE BAG Four walls of Belgian chocolate stuffed with almond flavored pound cake, fresh berries, whipped cream, chocolate, and candied spiced pecans (48 hours notice needed) \$8 each

It's our pleasure to tailor a menu to your specific requests. Truluck's purchases fresh seafood daily. All seafood selections are subject to availability.

Package price includes fresh bread iced tea & coffee service. Prices are per guest and do not include 11.75% sales tax and 20% gratuity.

\*Consumer Advisory: Consuming raw foods or undercooked meat, poultry, seafood, shellfish and eggs may increase your risk of foodborne illness.

## TRAY PASSED HORS D'OEUVRES

---

### SHRIMP COCKTAIL

with atomic cocktail sauce  
\$4 each

### TUNA TARTARE

marinated tuna, white soy  
sauce, sesame seeds, honey  
wasabi aioli in a phyllo cup  
with tobiko \$3.5 each

### HOT & CRUNCHY SHRIMP

with mango chili sauce  
\$3 each

### ESCARGOT

with herbed butter, garlic  
and lemon in a phyllo cup  
\$5.25 each

### BLOOD MARY OYSTER\* SHOOTER

\$5.5 each

### LOBSTER BISQUE SHOOTER

\$3 each

### PICKLED BEET TARTARE

pickled beets, avocado,  
seaweed salad, forbidden  
rice, dynamite sauce  
and honey wasabi aioli  
in a phyllo cup  
\$2.5 each

### JUMBO LUMP CRAB CAKE

(mini) with dilled tartar sauce  
\$4.5 each (1.25 oz.)

### PRIME MEATBALL

(mini) (1.5 oz.) prime chuck,  
brisket and short rib with house-  
made steak sauce \$1.5 each

### SEARED BEEF CROSTINI\*

tenderloin of beef seared rare  
and topped with herbed  
mushroom salad and  
horseradish goat cheese  
\$3.25 each

### TOMATO & OLIVE BRUSCHETTA

with basil, honey vinaigrette  
and goat cheese  
\$2.25 each

\*For the Health and Safety of Our Esteemed Guests: Consuming uncooked meats, poultry, seafood, shellfish or eggs may increase the risk of food-borne illness. Please alert your server of any food allergies immediately. \*Consumer Advisory: If you have chronic illness of the liver, stomach, or blood, or an immune disorder, you are at greater risk of illness from consuming raw oysters, and should eat oysters fully cooked. If unsure of your risk, consult a physician. We are not responsible for a guest's allergic reaction to our food and ingredients, so please take proper precautions. Thank you.



# ANY WAY YOU LIKE IT SHELLFISH PLATTER

An a la carte selection of chilled shellfish presented on a bed of crushed ice and accompanied by champagne mignonette, atomic cocktail sauce and specialty mustard sauce.

---

## ICED SEAFOOD SELECTIONS

### FRESH CRAB CLAWS

Medium \$7.5 each

Large \$13 each

### OYSTERS\*

\$3.25 each

### LOBSTER COCKTAIL

\$15 each (half tail)

### CRAB COCKTAIL

\$8 each

### OYSTERS AND PEARLS\*

featured oysters topped with caviar and crème fraîche

\$8 each

### ½ LB. ALASKAN KING CRAB

\$30 each

### SHRIMP COCKTAIL

\$4 each

*Shellfish Platters can be added to any menu package or substituted for included appetizers for an additional cost*

\*For the Health and Safety of Our Esteemed Guests: Consuming uncooked meats, poultry, seafood, shellfish or eggs may increase the risk of food-borne illness. Please alert your server of any food allergies immediately. \*Consumer Advisory: If you have chronic illness of the liver, stomach, or blood, or an immune disorder, you are at greater risk of illness from consuming raw oysters, and should eat oysters fully cooked. If unsure of your risk, consult a physician. We are not responsible for a guest's allergic reaction to our food and ingredients, so please take proper precautions. Thank you.



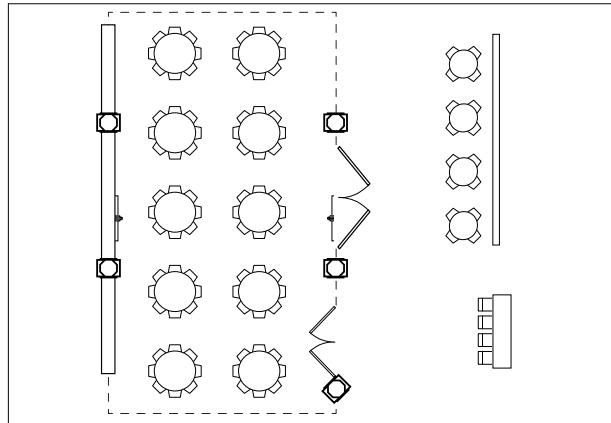
# THE TRULUCK'S PRIVATE DINING EXPERIENCE

## ACCOMMODATIONS

We can arrange each of our private dining rooms to create precisely the feel you desire for business meetings, rehearsal dinners and more. Truluck's is open for dinner nightly, and will open for contracted lunch groups with the appropriate minimum.

### THE GOLD COAST ROOM

The Gold Coast room is entirely private with foyer for reception, private bar and restrooms. It also features a dedicated kitchen and wait staff, and an Audio Visual Package including (2) 55" flat screen TV's, wireless lavalier or handheld microphone, and HDMI inputs for an additional fee.

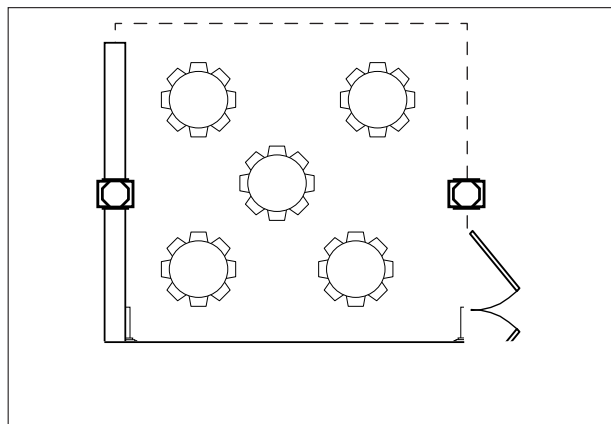


**The Gold Coast Room is 46' 9" L x 17' 16" W**

- 80 Seated with Full Rounds
- 48 Seated with Crescent Rounds, Presentation Style
- 44 Seated Boardroom Style, 2 Long Tables
- 110 Cocktail Style Reception

### THE CHESTNUT ROOM

This room is entirely private and features a dedicated kitchen and wait staff, and an Audio Visual Package including a 55" flat screen TV's, wireless lavalier or handheld microphone, and HDMI inputs for an additional fee.



**The Chestnut Room is 28' L x 16' W**

- 40 Seated with Full Rounds
- 30 Seated with Crescent Rounds, Presentation Style
- 24 Seated Boardroom Style
- 50 Cocktail Style Reception

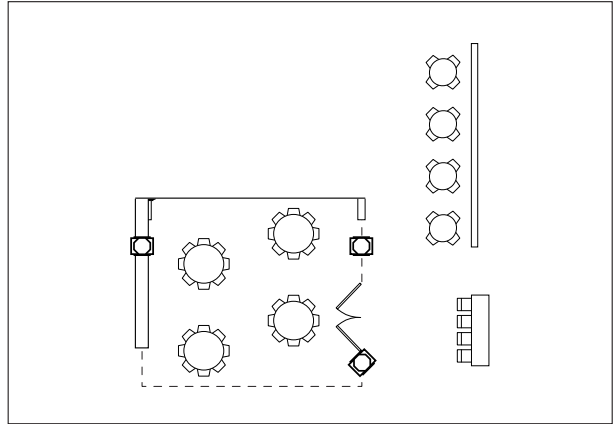


# THE TRULUCK'S PRIVATE DINING EXPERIENCE

## ACCOMMODATIONS (CONTINUED)

### THE RUSH ROOM

The Rush room is entirely private with its own bar and foyer for reception, and features a dedicated kitchen and wait staff and an Audio Visual Package including a 55" flat screen TV, wireless lavalier or handheld microphone, and HDMI inputs for an additional fee.



**The Rush Room is 19' 6" L x 16' W**

- 32 Seated with Full Rounds
- 24 Seated with Crescent Rounds, Presentation Style

- 16 Seated Boardroom Style
- 40 Cocktail Style Reception



# THE TRULUCK'S PRIVATE DINING EXPERIENCE

## THANK YOU FOR CHOOSING TRULUCK'S!

The enclosed private dining guide and menus will assist you in planning your special occasion. We're here to help with every single detail to ensure that your event will be an absolute success.

## MENUS

All of our meats, seafood and produce are ordered specially for your event and prepared in our kitchen to guarantee the finest quality. For this reason, it is necessary to preplan a menu in advance. We are happy to assist you in planning a menu tailored for your unique event. For your convenience, we have provided you with several preplanned menu options featuring our most popular entrées. Special requests and specific dietary needs can be easily accommodated with advanced notice. We will confirm menu pricing based on current market availability.

## WINE & BEVERAGE SUGGESTIONS

Truluck's offers up to 200 delicious wine selections. For our adventurous wine connoisseur we feature wines from around the world. Cassandra Mazur will be happy to help you select the perfect complement to your evening from our award-winning wine list.

We offer open bar, cash bar, liquor, beer, wine or a combination thereof. All alcoholic beverages are based on consumption and wine is priced per bottle. Our preplanned menu options include iced tea and coffee service.

## CUSTOMIZED REQUESTS & AUDIO/VISUAL

We are happy to accommodate any requests you may have, such as floral arrangements, ice sculptures, decorations, or audio visual needs for an additional fee. 55" flat screen TV's and wireless microphone with speakers are available for an additional fee in each private dining room. Complimentary Wi-Fi access is available.

## RESERVATIONS & MINIMUMS

Private parties are welcome to reserve our private room or the entire restaurant with appropriate food and beverage minimum. These minimum expenditures or room fees differ by day, time and season and are prior to tax (11.75%) and suggested gratuity (20%). In addition, we are happy to schedule events outside of our normal operating hours.

Your private room reservation will be confirmed upon receipt of your credit card information and booking contract, which notes the reservation details and our cancellation policy. Payment in full is required at the completion of your event. We accept American Express, MasterCard, Visa, Discover, and cash. We ask that your menu selections be finalized at least 10 days prior to your event. A final menu contract will be provided to confirm food, beverage and event specifics. We also ask that your final guarantee guest count be confirmed two business days prior to your event.

## VALET PARKING

Valet parking is available each evening on behalf of your guests and may be added to your bill upon request. Valet parking is currently \$18 per car, which does not include gratuity.

## OUR LOCATION

Truluck's Seafood, Steak, and Crab House (Downtown)  
41 E. Chestnut Street (at Chestnut & Rush St.), Chicago, IL 60611  
Cassandra Mazur (708) 831-2999 | [cmazur@trulucks.com](mailto:cmazur@trulucks.com)





# TRULUCK'S

OCEAN'S FINEST SEAFOOD & CRAB

## Chicago

OpenTable 2019 Diners' Choice – Best Seafood

OpenTable 2019 Diners' Choice – Best Special Occasion

Concierge Preferred Favorites Awards 2019 – Top Restaurants Chicago

Chicago Magazine “Hot List”

“One of Chicago’s 10 Best New Restaurants,” USA Today

“A Chicago Best New Restaurant,” Zagat



Fabulous parties, lasting memories  
and none of the stress